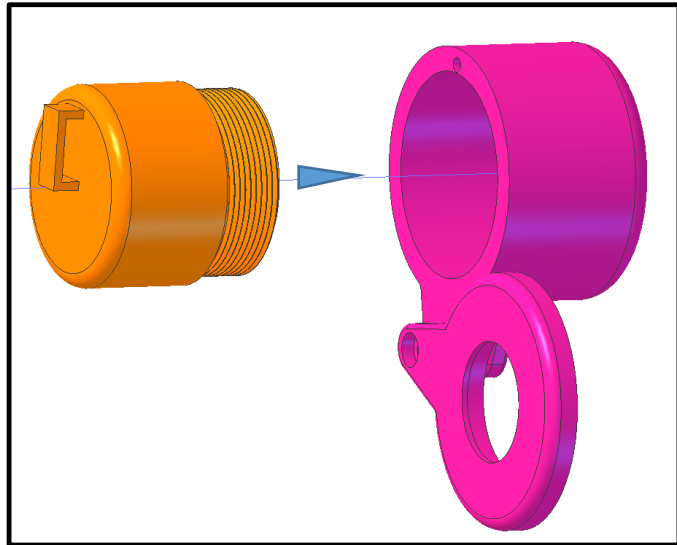
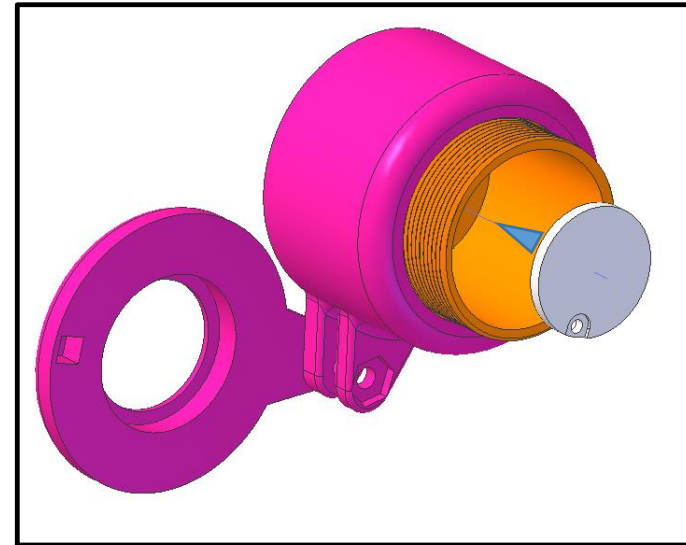
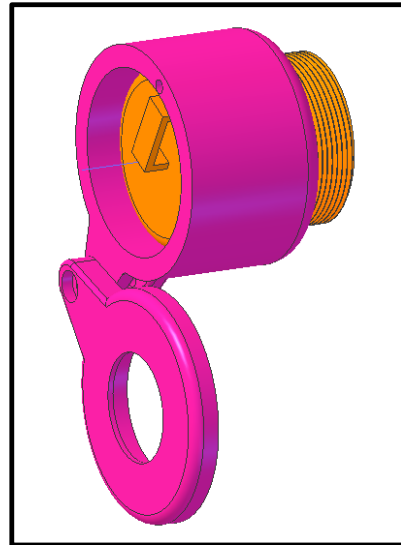




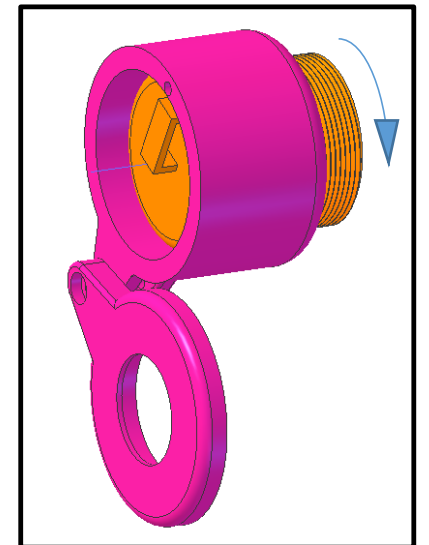
Thank you for purchasing the tether ring with Built in magnifier.  
The illustrations below describe how to install this product on the  
Whites TRX pin pointer.



1. Open magnifier and insert TRX battery cap as shown



2. Peel plastic from tape on the battery spacer and attach to inside of TRX battery cap



2. Screw assembly onto TRX pin pointer body